



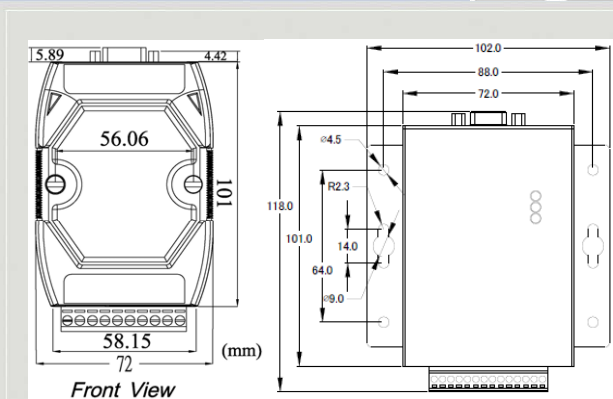
PROFIBUS Series Products

PROFIBUS to Modbus Gateway



GW-7552

GW-7552-M



Dimensions

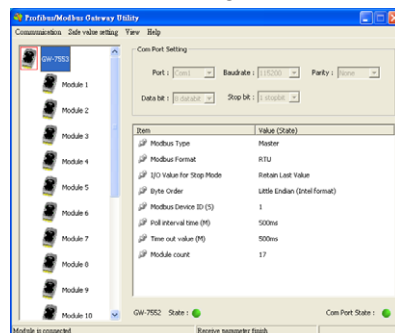
The GW-7552 Gateway is specially designed for the slave device of PROFIBUS DP protocol. It allows the PROFIBUS master to access the Modbus devices. These Modbus devices may be a PLC, a sensor, ICPDAS M-7000 series modules and so forth. In addition, we also provide the utility software for users to configure the GW-7552. By using this module, users can put their Modbus devices into PROFIBUS network very easily.

Features

- Protocol & Hierarchy: DP-V0 Slave
- Detect transmission rate (9.6 ~ 12000 kbps) automatically
- 132 bytes max input data length
- 131 bytes max output data length
- Support Modbus Master and Slave mode
- Support Modbus RTU and ASCII format
- Address 0~126 set by DIP switch or EEPROM
- Support several kinds of baud rate for COM1 from 2.4 to 115.2 kbps
- Network Isolation Protection: High Speed iCoupler
- 3000 VDC isolation protection on PROFIBUS side
- 4 kV ESD Protection

Utility Features

- Provide GW-7552 safe value setting
- Display module parameters of the GW-7552
- Show module address configuration of the GW-7552

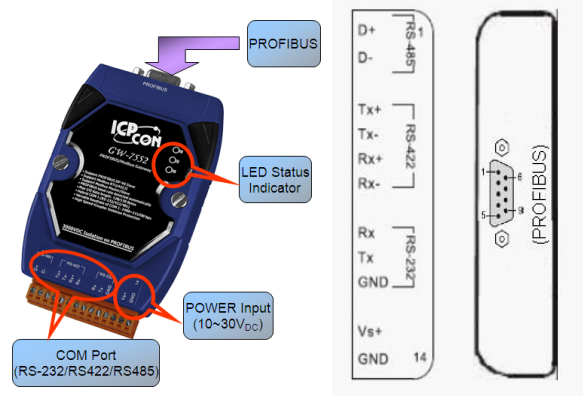


Modbus Support

- GW-7552 only supports the following Modbus commands.

Code	Name	Description
01	Read Coil Status	Read the ON/OFF status of discrete outputs in the slave
02	Read Input Status	Read the ON/OFF status of discrete inputs in the slave
03	Read Holding Registers	Read the binary contents of holding registers in the slave
04	Read Input Registers	Read the binary contents of input registers in the slave
05	Force Single Coil	Write a single output to either ON or OFF in the slave
06	Preset Single Register	Write an integer value into a single register in the slave
15	Force Multi. Coils	Write each coil in the sequence of coils to either ON or OFF in the slave
16	Preset Multi. Registers	Write a block of contiguous registers in the slave

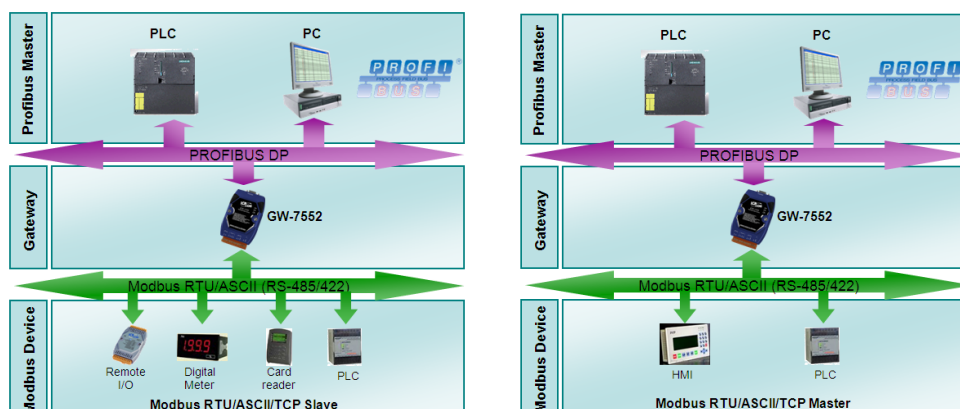
Pin Assignments



Hardware Specifications

Hardware	
CPU	80186, 80 MHz or compatible
SRAM/Flash/EEPROM	512 KB / 512 KB / 16 KB
Watchdog	Watchdog IC CPU built-in
ESD Protection	4 kV class A
PROFIBUS Interface	
Controller	Siemens SPC3
Transceiver	ADI ADM2486
Connector	9-pin female D-Sub
Baud Rate (bps)	9.6 k, 19.2 k, 45.45 k, 93.75 k, 187.5 k, 500 k, 1.5 M, 3 M, 6 M, 12 M
Transmission Distance (m)	Depend on baud rate (for example, max. 1200 m at 9.6 kbps)
Isolation	3000 V _{DC} for DC-to-DC, 2500 Vrms for bus-to-logic
Protocol	DP-V0
UART Interface	
COM	RS-232/RS-422/RS-485(can't be used simultaneously)
COM Connector	3-pin screwed terminal block (RxD, TxD, GND) 4-pin screwed terminal block (RxD+, RxD-, TxD+, TxD-) 2-pin screwed terminal block (DATA+, DATA-)
Baud Rate (bps)	1200, 2400, 4800, 9600, 19200, 38400, 57600, 115200
Data bit	7, 8
Stop bit	1, 2
Parity	None, Even, Odd
LED	
Round LED	PWR LED, RUN LED, ERR LED
Power	
Power supply	Unregulated +10 ~ +30 V _{DC}
Protection	Power reverse polarity protection, Over-voltage brown-out protection
Power Consumption	2.5 W
Mechanism	
Installation	DIN-Rail
Dimensions	72 mm x 33 mm x 119 mm (W x L x H)
Environment	
Operating Temp.	-25 ~ 75°C
Storage Temp.	-30 ~ 85°C
Humidity	5 ~ 95% RH, non-condensing

Applications



Ordering Information

GW-7552-B CR	PROFIBUS/Modbus Gateway (RoHS)
GW-7552-M CR	PROFIBUS/Modbus Gateway (RoHS) with Metal casing